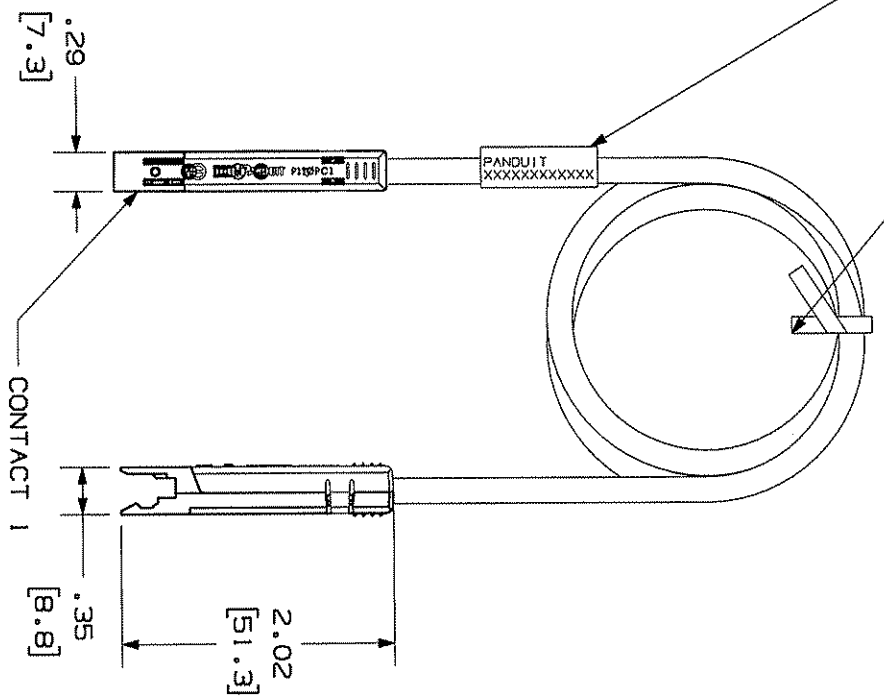


THIS COPY IS PROVIDED ON A RESTRICTED BASIS AND IS NOT TO BE USED IN ANY WAY DETRIMENTAL TO THE INTERESTS OF PANDUIT CORP.

CONTACT	CABLE WIRE COLOR
1	WHITE/BLUE
2	BLUE



- NOTES:
1. SEE CURRENT CATALOG FOR VARIOUS APPLICATIONS AND TO INDICATE PACKAGE QUANTITY. THE PATCH CORDS CAN BE USED WITH PAN-PATCH CONNECTING BLOCKS.
  2. USED WITH PAN-PATCH CONNECTING BLOCKS. PROPER WIRE SEQUENCE AND CONNECTIONS ARE REQUIRED TO SECURE THE JACKET AND CONNECTOR. THE POSITION OF TERMINATION WHICH MINIMIZES STRESS ON WIRES DURING DISCONNECTION. INTERGRAL STRAIN RELIEF MINIMIZES STRESS ON WIRES DURING DISCONNECTION.
  3. POLARIZED TO PREVENT REVERSE INSTALLATION TO CONNECTOR BLOCK.
  4. CATEGORY 3 UNSHIELDED TWISTED PAIR CABLE WITH 24AWG STRANDED TINNED COPPER CONDUCTOR.
  5. DIMENSIONS IN PARENTHESES ARE IN METRIC.

PANDUIT P/N	MIN. CABLE LENGTH	WEIGHT
P110PC1162Y	2 FT.	.24 LB/10 PCS (112.1 9/10 PCS)
P110PC1163Y	3 FT.	.31 LB/10 PCS (144.5 9/10 PCS)
P110PC1164Y	4 FT.	.38 LB/10 PCS (176.9 9/10 PCS)
P110PC1165Y	5 FT.	.45 LB/10 PCS (209.3 9/10 PCS)
P110PC1166Y	6 FT.	.52 LB/10 PCS (241.7 9/10 PCS)
P110PC1167Y	7 FT.	.59 LB/10 PCS (274.1 9/10 PCS)
P110PC1168Y	8 FT.	.66 LB/10 PCS (306.5 9/10 PCS)
P110PC1169Y	9 FT.	.73 LB/10 PCS (338.9 9/10 PCS)
P110PC11612Y	12 FT.	.93 LB/10 PCS (436.1 9/10 PCS)
P110PC11615Y	15 FT.	1.15 LB/10 PCS (533.3 9/10 PCS)
P110PC11618Y	18 FT.	1.38 LB/10 PCS (630.5 9/10 PCS)
P110PC11619Y	19 FT.	1.48 LB/10 PCS (685.1 9/10 PCS)
P110PC11620Y	20 FT.	1.58 LB/10 PCS (739.7 9/10 PCS)
P110PC11621Y	21 FT.	1.68 LB/10 PCS (794.3 9/10 PCS)
P110PC11622Y	22 FT.	1.78 LB/10 PCS (848.9 9/10 PCS)
P110PC11623Y	23 FT.	1.88 LB/10 PCS (903.5 9/10 PCS)
P110PC11624Y	24 FT.	1.98 LB/10 PCS (958.1 9/10 PCS)
P110PC11625Y	25 FT.	2.08 LB/10 PCS (1012.7 9/10 PCS)
P110PC11626Y	26 FT.	2.18 LB/10 PCS (1067.3 9/10 PCS)
P110PC11627Y	27 FT.	2.28 LB/10 PCS (1121.9 9/10 PCS)
P110PC11628Y	28 FT.	2.38 LB/10 PCS (1176.5 9/10 PCS)
P110PC11629Y	29 FT.	2.48 LB/10 PCS (1231.1 9/10 PCS)
P110PC11630Y	30 FT.	2.58 LB/10 PCS (1285.7 9/10 PCS)
P110PC11631Y	31 FT.	2.68 LB/10 PCS (1340.3 9/10 PCS)
P110PC11632Y	32 FT.	2.78 LB/10 PCS (1394.9 9/10 PCS)
P110PC11633Y	33 FT.	2.88 LB/10 PCS (1449.5 9/10 PCS)
P110PC11634Y	34 FT.	2.98 LB/10 PCS (1504.1 9/10 PCS)
P110PC11635Y	35 FT.	3.08 LB/10 PCS (1558.7 9/10 PCS)
P110PC11636Y	36 FT.	3.18 LB/10 PCS (1613.3 9/10 PCS)
P110PC11637Y	37 FT.	3.28 LB/10 PCS (1667.9 9/10 PCS)
P110PC11638Y	38 FT.	3.38 LB/10 PCS (1722.5 9/10 PCS)
P110PC11639Y	39 FT.	3.48 LB/10 PCS (1777.1 9/10 PCS)
P110PC11640Y	40 FT.	3.58 LB/10 PCS (1831.7 9/10 PCS)
P110PC11641Y	41 FT.	3.68 LB/10 PCS (1886.3 9/10 PCS)
P110PC11642Y	42 FT.	3.78 LB/10 PCS (1940.9 9/10 PCS)
P110PC11643Y	43 FT.	3.88 LB/10 PCS (1995.5 9/10 PCS)
P110PC11644Y	44 FT.	3.98 LB/10 PCS (2050.1 9/10 PCS)
P110PC11645Y	45 FT.	4.08 LB/10 PCS (2104.7 9/10 PCS)
P110PC11646Y	46 FT.	4.18 LB/10 PCS (2159.3 9/10 PCS)
P110PC11647Y	47 FT.	4.28 LB/10 PCS (2213.9 9/10 PCS)
P110PC11648Y	48 FT.	4.38 LB/10 PCS (2268.5 9/10 PCS)
P110PC11649Y	49 FT.	4.48 LB/10 PCS (2323.1 9/10 PCS)
P110PC11650Y	50 FT.	4.58 LB/10 PCS (2377.7 9/10 PCS)

DRAWING FILENAME: M02479J0\_DC253\_00A\_PRT

TITLE: CATEGORY 3 110 PATCHCORD CUSTOMER DRAWING

SIZE: A

**PANDUIT** CORP.  
TINLEY PARK, IL 60477

ALL DIMENSIONS ARE GIVEN IN INCHES, UNLESS OTHERWISE SPECIFIED.  
DIMENSIONAL TOLERANCES ARE:  
1.X1 ± .031(.8) 1.XXX1 ± .010(.3)  
1.XX1 ± .010(.3) ANGLES ±

REVIEW DRAWING NUMBERS

DATE	3-17-06
DRAWN BY	NER
CHK'D BY	NER
DATE	3-17-06
CHK'D BY	NER

REV	DATE	BY	CHK	DESCRIPTION	ECN	R	CUST	SUP	OTH
R	3-17-06	NER	NER	RELEASED TO PRODUCTION.	02479-253				

DRAWING NO. 02479-253